



*Rewarding Learning*

General Certificate of Secondary Education

2022

---

# Engineering and Manufacturing

Unit 2

*assessing*

Production

**[GEM21]**

**TUESDAY 10 MAY, MORNING**

---

## TIME

3 hours.

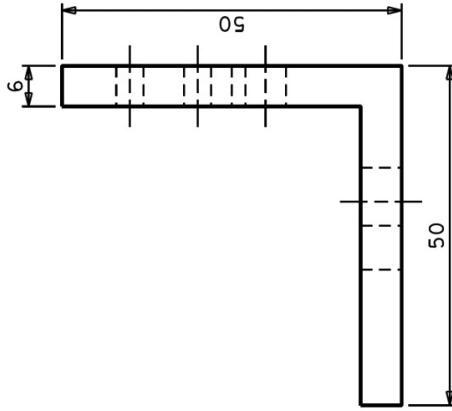
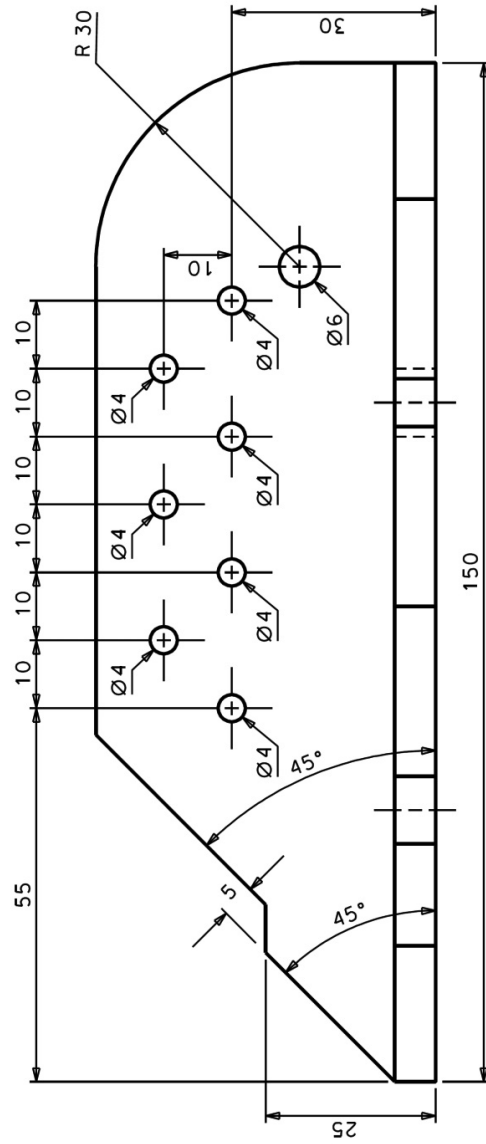
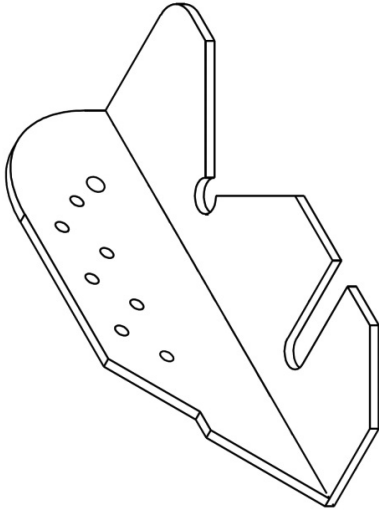
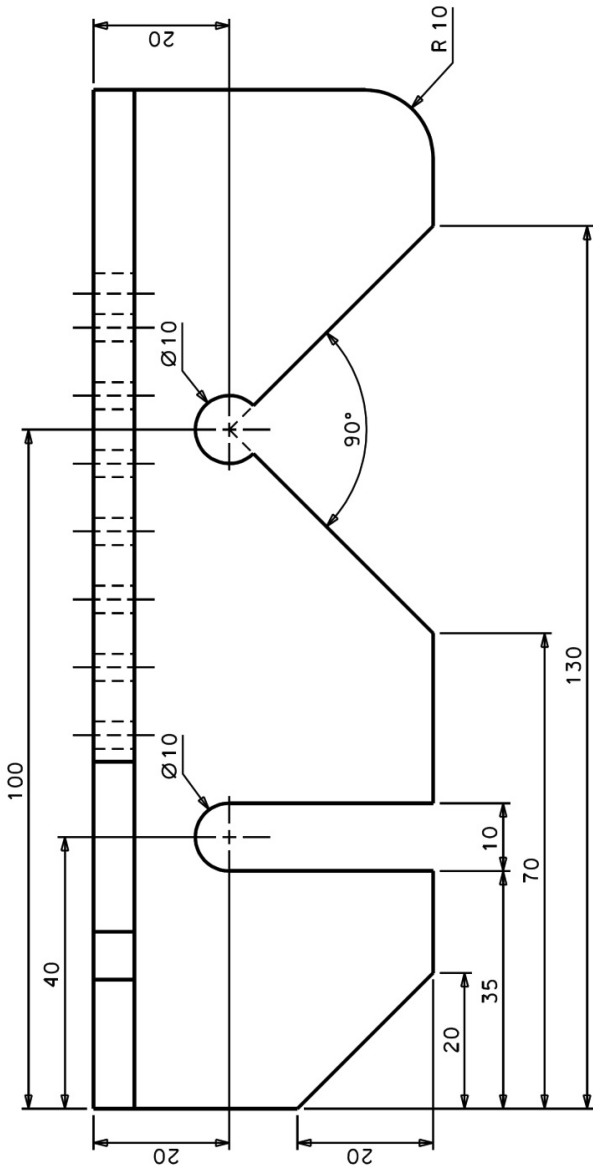
## INSTRUCTIONS TO CANDIDATES

Candidates are expected to complete **all** parts of the manufacturing task from the drawings supplied using the equipment and the materials provided by the centre.

Candidates are advised to spend the first 10 minutes reading the drawings.  
Candidates must apply Health and Safety procedures at all times.

## INFORMATION FOR CANDIDATES

The total mark for this practical examination is **100**.



Notes  
 All parts cleaned  
 Draw filed finish  
 No sharp edges

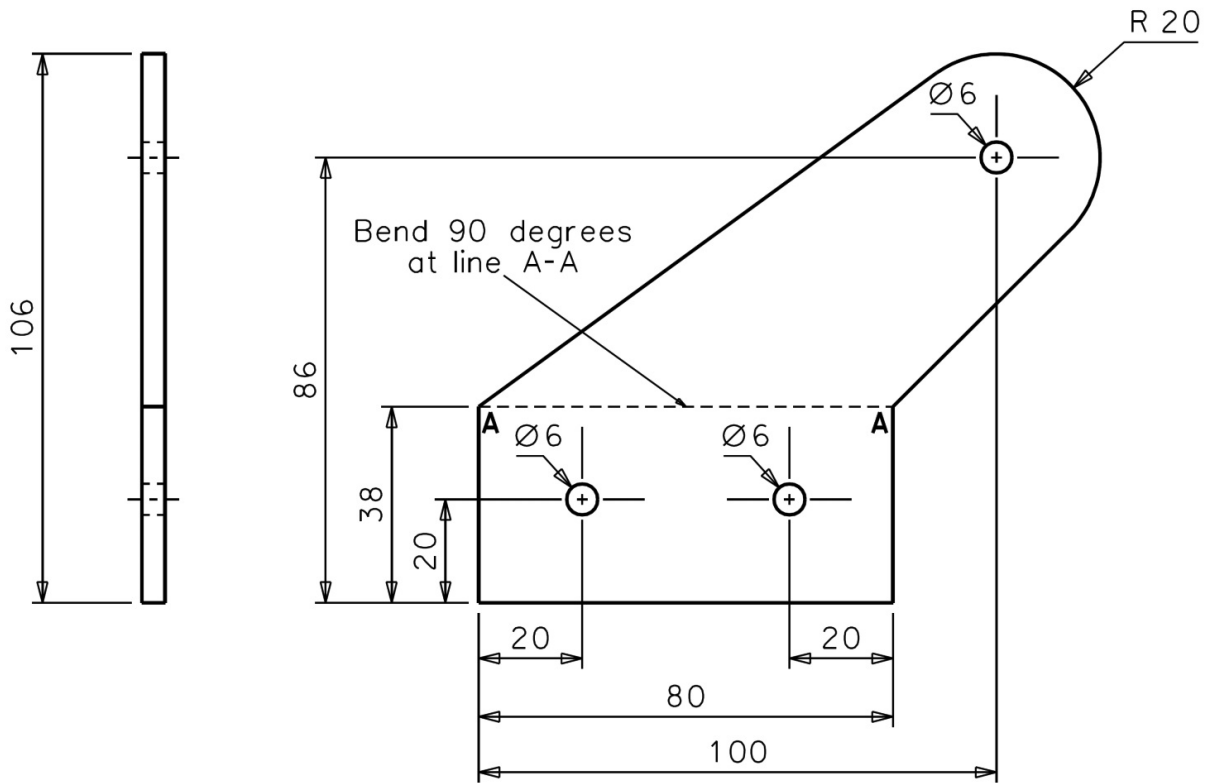
CCEA  
 GCSE Engineering  
 and Manufacturing

Dimensions in mm  
 Do not scale  
 Tolerance +/- 0.5mm

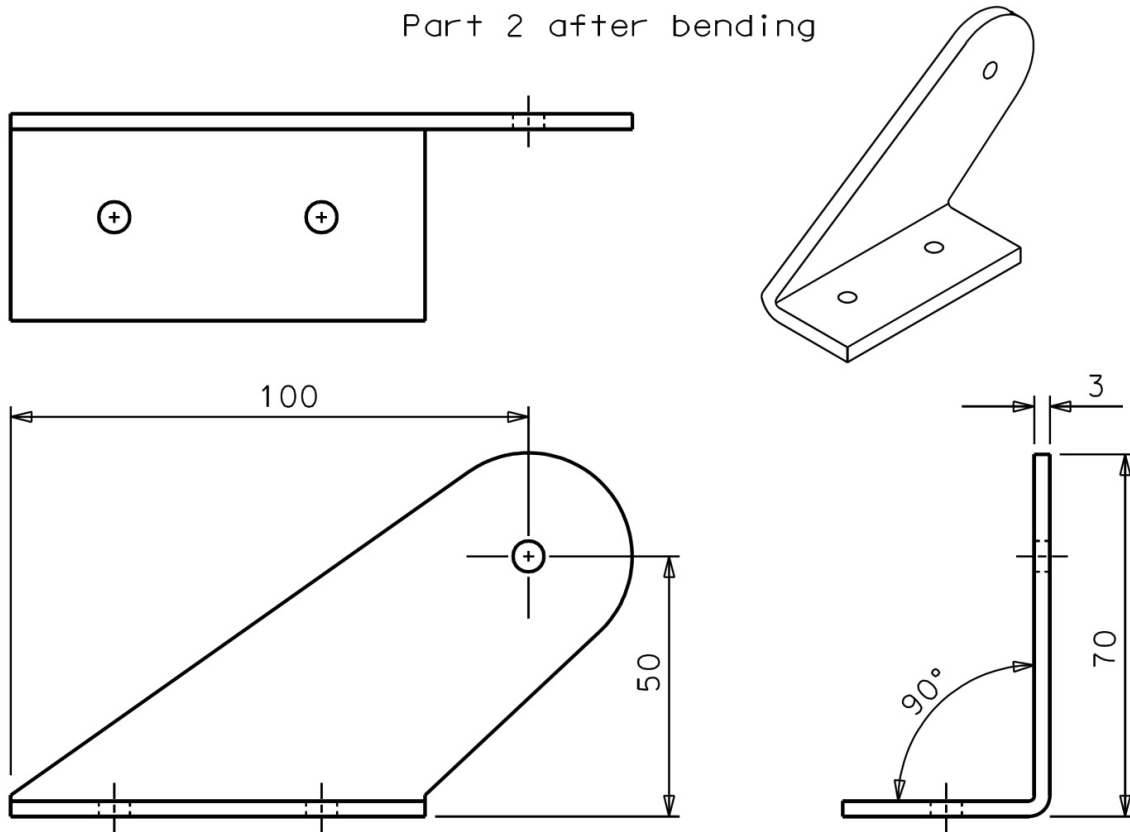
Unit 2  
 Material  
 (50mm x 50mm x 6mm) +/- 1.3mm  
 Extruded aluminium  
 angle section

Part 1  
 Third angle projection

Part 2 before bending



Part 2 after bending



Notes

No sharp edges  
Finished with  
wet and dry paper

CCEA	Dimensions in mm Do not scale	Unit 2	Part 2	 Third angle projection
GCSE Engineering and Manufacturing	Tolerance +/- 0.5mm	Material 3mm acrylic sheet		

Permission to reproduce all copyright material has been applied for.  
In some cases, efforts to contact copyright holders may have been unsuccessful and CCEA  
will be happy to rectify any omissions of acknowledgement in future if notified.